

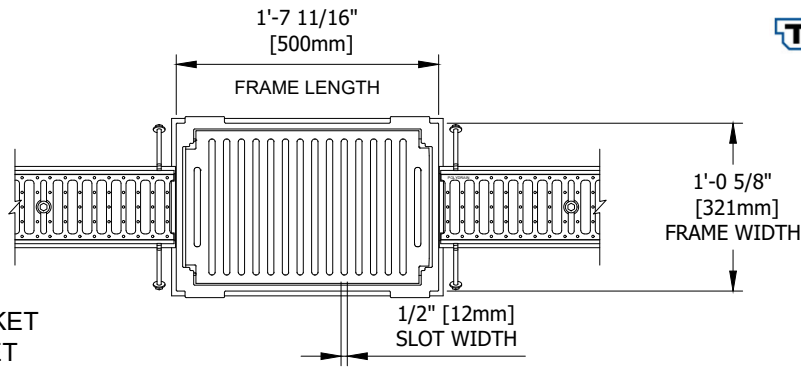
2611 CATCH BASIN

INCLUDES:

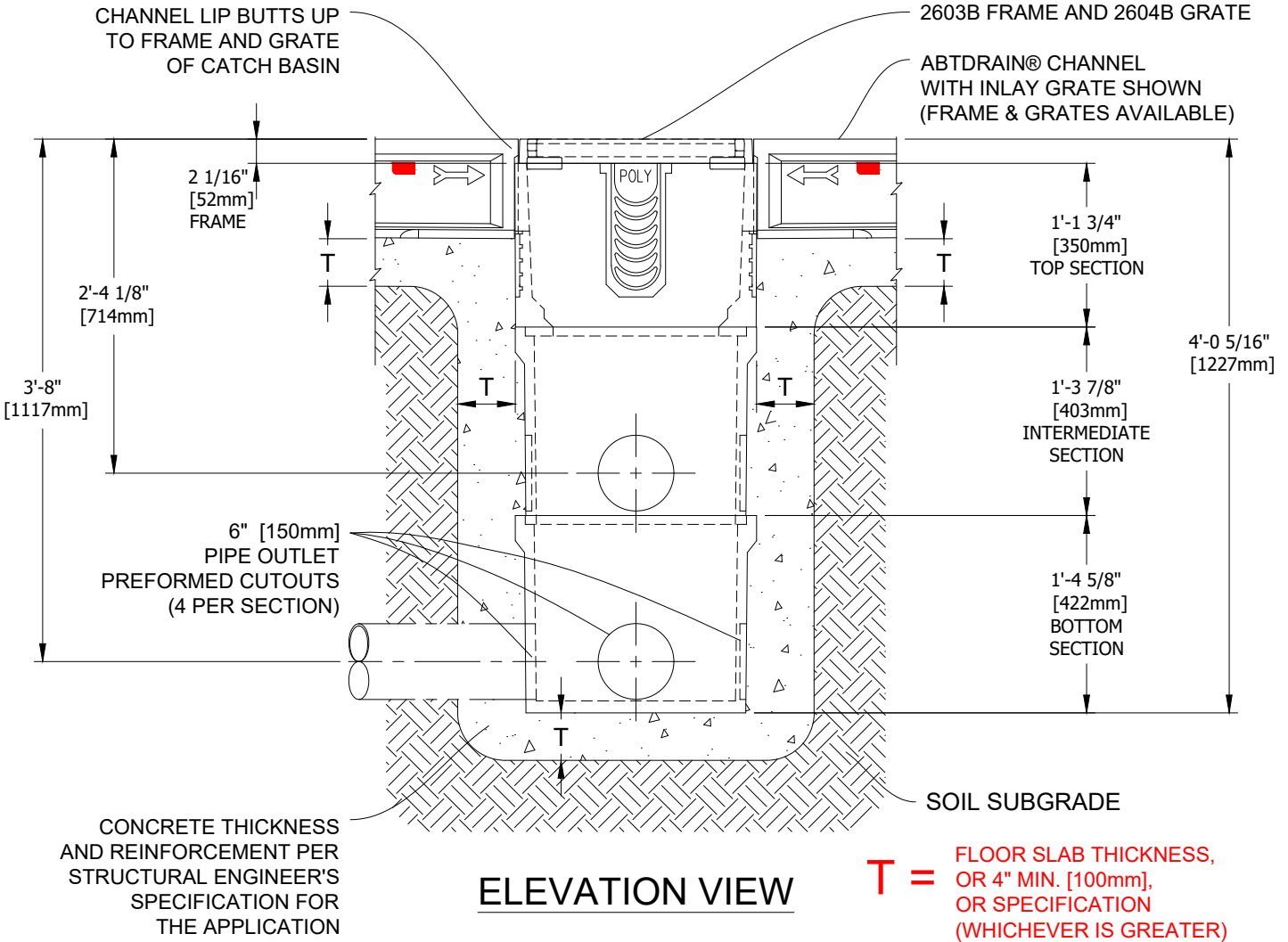
- 2600 - TOP SECTION
- 2601 - INTERMEDIATE SECTION
- 2602 - BOTTOM SECTION
- 2603B - DUCTILE IRON FRAME
- 2604B - DUCTILE IRON GRATE

OPTIONAL:

- 2607 - GALVANIZED TRASH BUCKET
- 2609 - STAINLESS TRASH BUCKET



PLAN VIEW



ELEVATION VIEW

NOTE: YOU ARE NOT LIMITED TO THE OUTLETS SHOWN. OUTLETS AS LARGE AS 12" [300mm] MAY ALSO BE CUT OUT ON ANY OF THE SIDES OF THE 611 CATCH BASIN.

Copyright © 2023 ABT, Inc.



PolyDrain Large Catch Basin - Bar Lock System 611 (600, 601, 602, 603B, 604B)

SERIES:

PD-2611

REV: **00**

Proprietary rights of ABT, Inc. are included in the information disclosed herein. The recipient, by accepting this document, agrees that neither this document nor the information disclosed herein nor any part thereof shall be copied, reproduced or transferred to others for manufacturing or for any other purpose except as specifically authorized in writing by ABT, Inc.

DISCLAIMER: The customer and the customer's architects, engineers, consultants and other professionals are completely responsible for the selection, installation, and maintenance of any product purchased from ABT, and EXCEPT AS EXPRESSLY PROVIDED IN ABT'S STANDARD WARRANTIES, ABT MAKES NO WARRANTY, EXPRESS OR IMPLIED, AS TO THE SUITABILITY, DESIGN, MERCHANTABILITY, OR FITNESS OF THE PRODUCT FOR CUSTOMER'S APPLICATION. Copies of ABT's standard warranties are available upon request.

Standard PolyDrain – 2611

Precast Polymer Concrete Catch Basin w/ Ductile Iron Frame and Grate - Bar Lock System Standard Specification

System ID#: PD 2611

Trench drain shall be PolyDrain; manufactured by ABT, Inc., 259 Murdock Road, Troutman, NC - (800) 438-6057.
 www.abtdrains.com

System Components:

Precast Catch Basin - The precast catch basin shall be manufactured using polyester polymer concrete with the following material properties when tested:

Property	Test Method	Value
Compressive Strength	ASTM C579	14,000 psi Minimum
Bending Strength	ASTM C580	4,000 psi Minimum
Tensile Strength	ASTM C307	2,000 psi Minimum
Moisture Absorption	ASTM D570	0.1% Maximum
Chemical Resistance	ASTM C267	Pass
Freeze/Thaw w/o weight loss	ASTM C666	1600 Number of Cycles Minimum
Resistance to Fungi	ASTM G21	Zero (0) Rating Mold Growth
UL/ULC Listed- Flame Spread	UL-723	Class A

The catch basin consisting of 3 sections: top with frame and grate; middle section; and closed bottom section with nominal 19" (483mm) x 12" (300mm) inside width.

Frame & Grate: #603B/604B- Black polymer coated ductile iron conforming to ASTM A-536 with a minimum of 0.21Ft² /L Ft (.064m²/Lm) open area. Grates shall meet a minimum 620 psi proof load per AASHTO M-306 test. Frames shall be independent of the channels. Frames and grates shall seat into basin without rocking and shall lock into place utilizing the Bar Lock System. Frames, grates, and retainers shall be made in U.S.A., and shall conform to the FHWA's "Buy America" policy 23 CFR 635.410(b) and Federal Acquisitions Regulations (FAR) 52.225 "Buy American Act".

Quality Assurance:

Submittals: A Certificate of Compliance in conformance with the provisions of these Standard Specifications shall be furnished to the Engineer. Grates shall be independently tested to AASHTO M-306.

